

Sleeveless top made of lightweight fabric

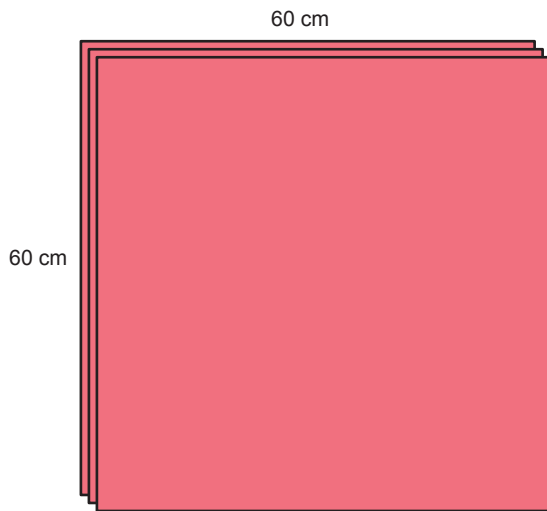
*1. If there are no instructions to use a specific stitch, use the straight stitch.
 *2. Presser foot "J" (straight stitch) will be used.



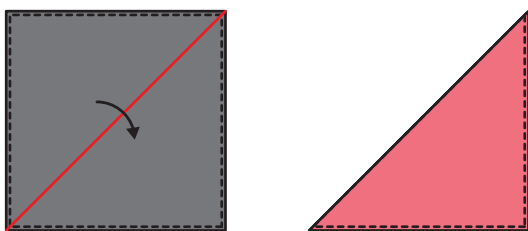
Let's make a sleeveless top from lightweight fabric. Wear this top together with the skirt as a gorgeous party set.

< Materials >

- Cotton voile (60 cm square) – 3

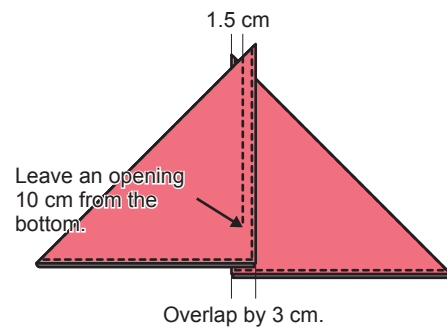


- 1 Prepare all three pieces by folding back 5 mm twice and stitching along all edges to make 58 cm square handkerchiefs.

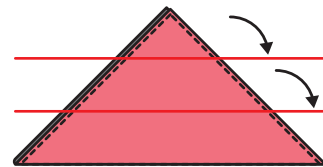
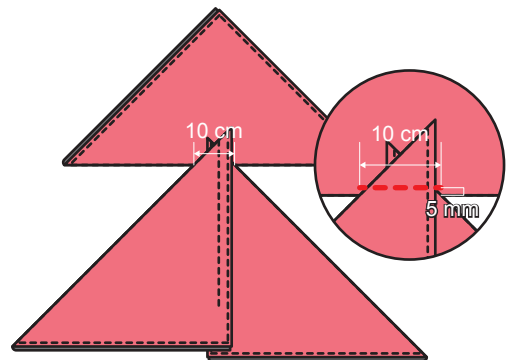


Fold all three pieces into triangles.

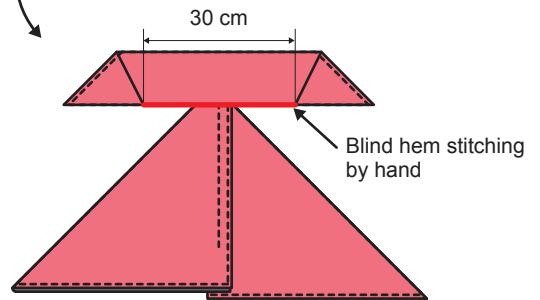
- 2 Overlap two pieces, and then sew them together.



- 3 Place the third piece at the top of the piece made in step 2 to make a neckband. Sew the third piece onto the piece made in step 2 so that the width of the overlap is 10 cm.



Fold to the inside, and then sew blind hem stitching by hand.



Wear tied around the neck and waist.